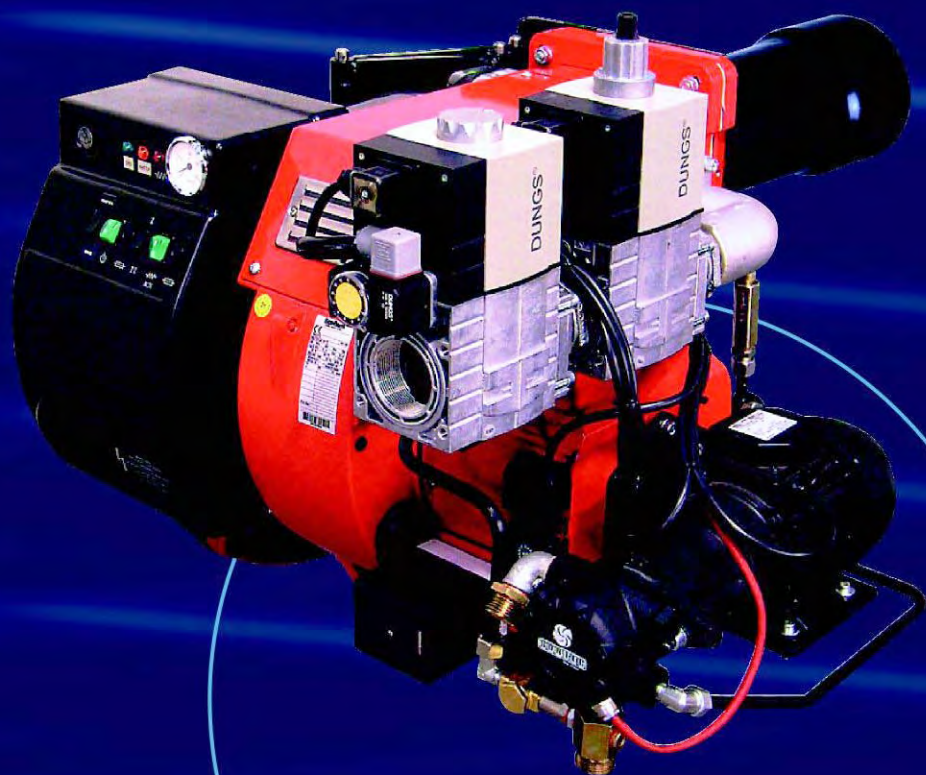


Ecoflam



MULTIFLAM



Ecoflam



Ecoflam

DUAL FUEL BURNERS HEAVY OIL/GAS 重油燃气两用燃烧器

Ecoflam was founded in 1973 in Castelfranco Veneto, near Venice in the North East of Italy. For more than thirty years Ecoflam has continued to develop all its products with constant dedication and determination addressing Technological Research, Ecology, Energy Saving, and Safety.

Ecoflam today offers a full range of blown air pressure jet burners designed and tested in our "GREEN" modern laboratories. All products conform to CE standards and are manufactured in accordance with ISO 9001 and VISION 2000 certification.

Ecoflam burners guarantee high efficiency and reliable operation with significant energy savings. All models feature extreme ease of installation maintenance and flexible boiler - burner matching.



Multicalor 200.1 MD



意高（意大利）燃烧设备有限公司在1973年位于意大利北部近威尼斯的Castelfranco Veneto成立。拥有超过30年经验的意高公司，仍不断致力发展各类的产品，并且决心专注技术研究、生态保护、节约能源及安全性等。

意高公司今天能提供各类型的压力吹风式燃烧器。所有燃烧器都在“GREEN”绿色环保实验中心设计及测试，产品全通过CE标准及按照ISO9001及VISION 2000证书标准生产。

意高公司燃烧器保证有高效能，可靠的操作性及高节能特性。所有型号均带有容易安装维修及灵活与锅炉配套使用的特性。

OPERATION / 操作模式

- ...AB HI-LOW with servomotor
- ...PR Progressive
- ...MD Modulating

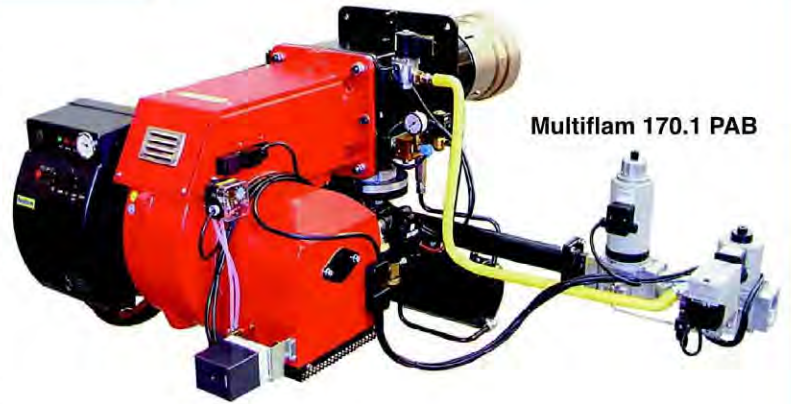
- 伺服马达控制-两段火
- 渐进式
- 比例调节

MAIN FEATURES / 主要特点

- Aluminium casing up to the Multiflam 400.1 with steel casing from the 500.1 all burners incorporate integrated electrical control panel.
- New high efficiency fan ventilator designed for granting flame stability and easy matching.
- Adjustable combustion head for fine tuning / matching with different shape of combustion chamber.
- Gas pilot from Multiflam 170.1 PAB.
- Hi - Low version with electric servomotor and integrated system for the regulation of air gas and light oil with two nozzle from Multiflam 50 to Multiflam 300.1 and with 3 nozzles available up to Multiflam 600.1.
- Progressive version with electrical servomotor and double adjustable mechanical cam that allow air gas - heavy oil fine tuning.
- Modulating version with PID system controller with digital set point display and real time value.
- Progressive or modulating nozzle with flow and return. Shut down flow system on the nozzle managed by coil.
- Firing head with automatic adjustable system for primary air that change according to output required from Multiflam 700.1.
- Easy maintenance of firing head from the burner top cover.
- Standard version running on manual mode and on request automatic. The automatic cut-out system can be triggered by gas pressure or by a timer .
- On request tailored solutions of flame shape.
- Digital thermo regulator integrated on the front panel for granting temperature stability of fuel oil from Multiflam 300.1.
- Version "D" with additional resistances for working with heavy oil (up to 50°E at 50°C) and maintain temperature stability during stand by.
- Self cleaning filter installed in the pre heater in order to keep the nozzle clean from Multiflam 300.1.



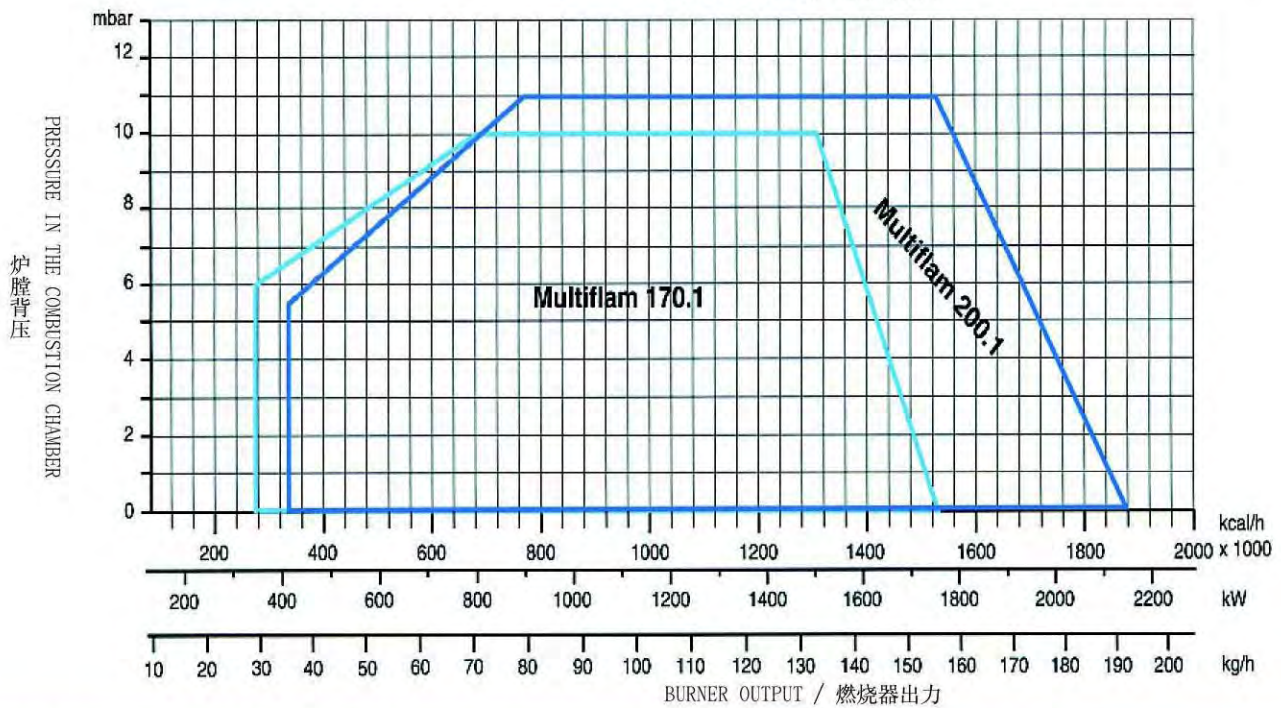
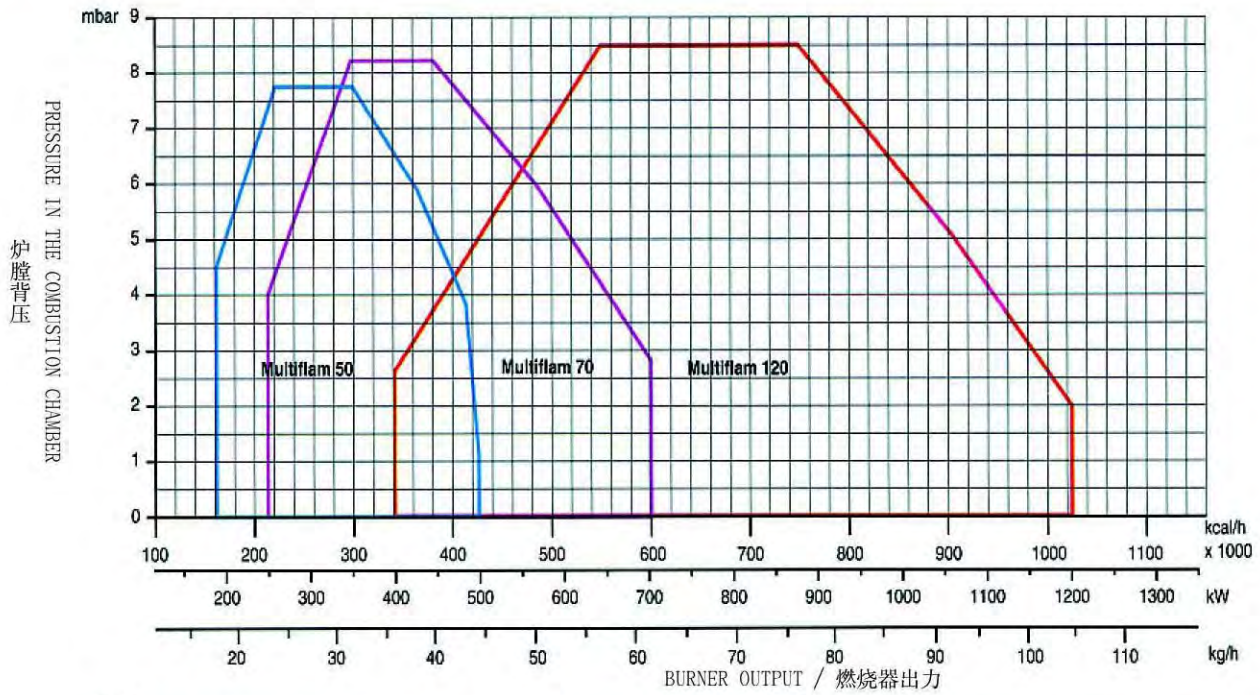
Multiflam 300.1



Multiflam 170.1 PAB

- 由Multiflam 50至 Multiflam 400.1型号采用铝质外壳、由Multiflam 500.1型号起采用钢外壳并且配有整合式电控箱。
- 采用特别设计的高效率风机能提供高稳定性火焰及易于配套设备。
- 可调节燃烧头以供调校 / 选配不同形状的炉膛。
- 由Multiflam 170.1 PAB型号起采用燃气点火器。
- 两段火型号:采用伺服马达控制及整合式空气、燃气和重油调节系统。
由Multiflam 50至Multiflam 300.1型号使用双油咀
由Multiflam 400.1至Multiflam 600.1型号使用三油咀。
- 渐进式PR型号:采用伺服马达及双调节机械凸轮以易于空气、燃气和重油进行调校。
- 比例调节型号配备数字设定点和实时数值显示的PID系统控制器。
- 渐进式或比例调节油咀都有回油路。油咀在供油路的关闭则由电磁线圈所控制。
- 由Multiflam 700.1以上型号, 自动调节燃烧头可按输出功率要求而改变一次风量。
- 拆开燃烧器顶盖即可轻易地维修燃烧头。
- 标准型号以手动模式操作, 亦可按要求改为自动模式操作。自动切换系统是由供气压力或时间开关来控制。
- 火焰形状可按要求更改。
- 由 Multiflam 300.1型号起采用装在前面板的数码温度调节器以提供稳定的温度。
- "D" 型号对于黏度达到50°E在50°C的重油运作有额外稳定性及在备用状态时保持温度稳定。
- 由Multiflam 300.1型号起, 在加热器已安装自我清洁过滤器以保持油咀清洁。

WORKING FIELDS / 工作范围

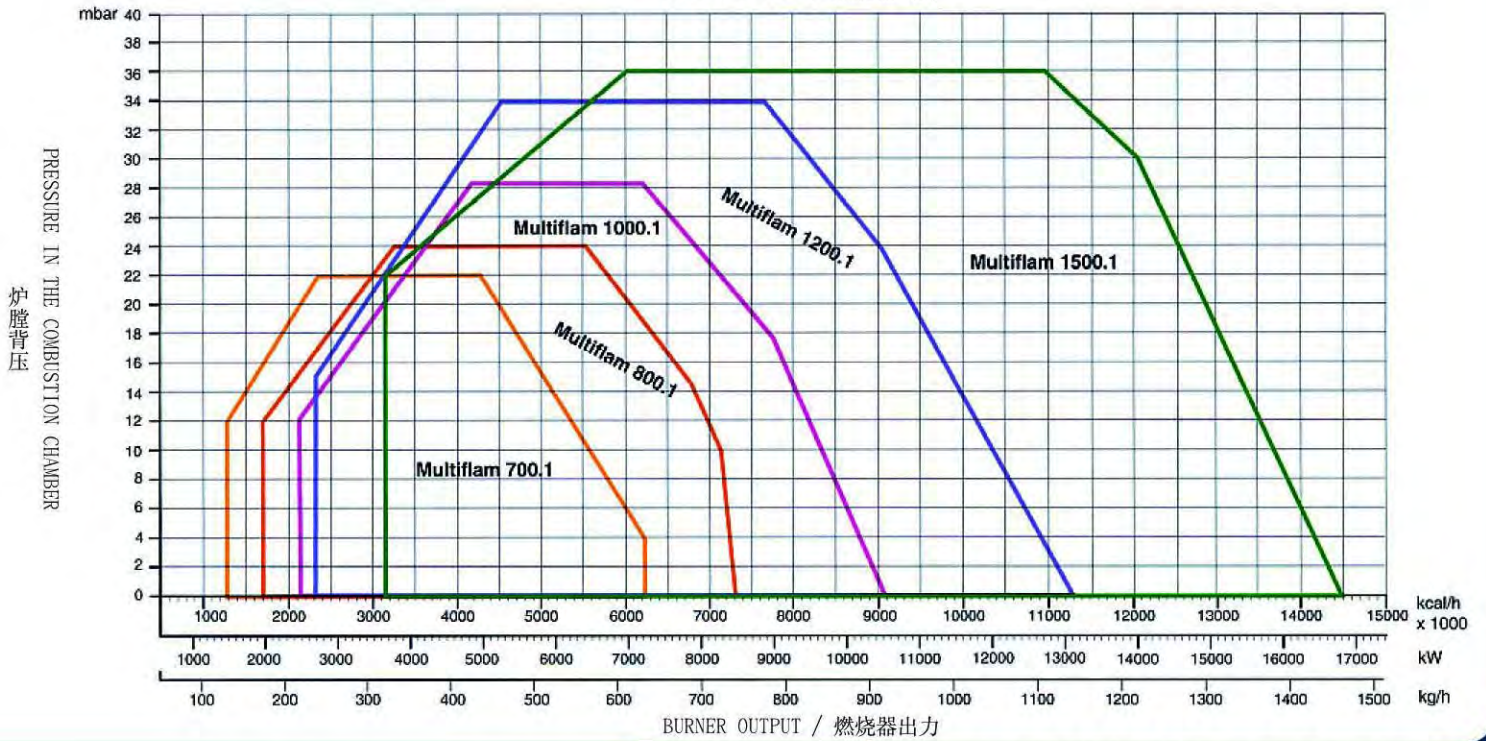
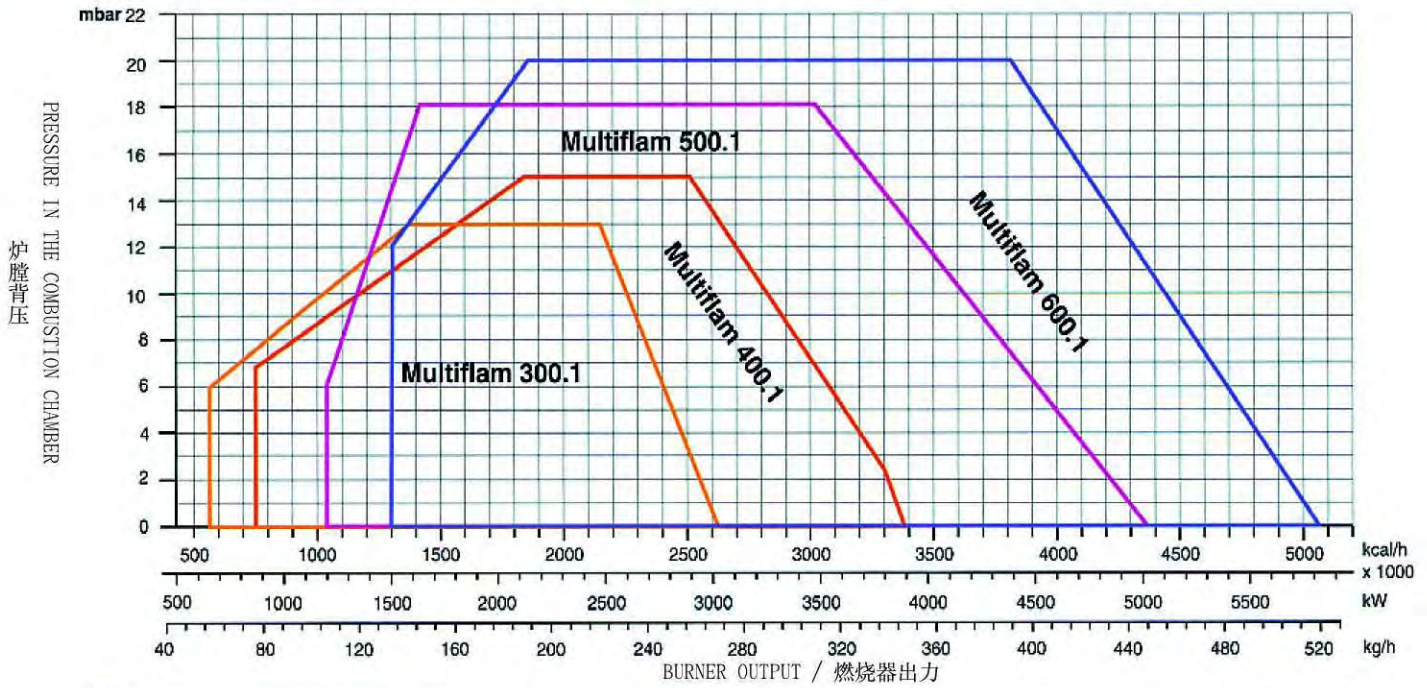


TECHNICAL DATA / 技术数据

MODELS 型号	Output 最大输出 max.		Output 最小输出 min.		Flow rate 最大流量 max.	Flow rate 最小流量 min.	Power supply 电源 V	Motor 马达 kW	Operation 操作
	kW	kcal/hx1000	kW	kcal/hx1000	kg/h	kg/h			
MULTIFLAM 50	500	430	190	163.4	43.87	16.67	230/400	0.55	AB-PR-MD
MULTIFLAM 70	700	602	250	215	61.42	21.94	230/400	0.74	AB-PR-MD
MULTIFLAM 120	1,200	1,032	400	344	105.3	35	230/400	2.2	AB-PR-MD
MULTIFLAM 170.1	1,770	1,526	342	295	155.71	30	230/400	3	AB-PR-MD
MULTIFLAM 200.1	2,150	1,853.45	414	356.9	189.13	36.42	230/400	4	AB-PR-MD
MULTIFLAM 300.1	3,000	2,586	630	543.1	263.87	55.42	230/400	5.5	AB-PR-MD
MULTIFLAM 400.1	3,900	3,362	875	754.3	343	77	230/400	7.5	AB-PR-MD

Fuel: Natural Gas (L.C.V. 8,570 kcal/Nm³), LPG (L.C.V. 22,260 kcal/Nm³) : 天然气 (热值 8,570 kcal/Nm³), 液化气 (热值 22,260 kcal/Nm³)
: Heavy oil (L.C.V. 9,800 kcal/kg max. visc 50°E at 50°C) : 重油 (热值 9,800 kcal/kg 最大黏度 50°E at 50°C)

WORKING FIELDS / 工作范围



TECHNICAL DATA / 技术数据

MODELS 型号	Output 最大输出 max.		Output 最小输出 min.		Flow rate 最大流量 max.		Flow rate 最小流量 min.		Power supply 电源 V	Motor 马达 kW	Operation 操作
	kW	kcal/hx1000	kW	kcal/hx1000	kg/h	kg/h	kg/h	kg/h			
MULTIFLAM 500.1	5,000	4,310	1,200	1,034.5	439.8	105.56	230/400	11	AB-PR-MD		
MULTIFLAM 600.1	5,800	5,000	1,500	1,290	510.2	131.63	230/400	15	AB-PR-MD		
MULTIFLAM 700.1	7,250	6,250	1,500	1,290	612.74	131.63	230/400	15	PR-MD		
MULTIFLAM 800.1	8,500	7,327.5	2,000	1,724	747.70	175.92	230/400	18.5	PR-MD		
MULTIFLAM 1000.1	10,500	9,052	2,500	2,155	923.67	220	230/400	22	PR-MD		
MULTIFLAM 1200.1	13,100	11,293.1	2,700	2,327.6	1,152.36	237.5	230/400	37	PR-MD		
MULTIFLAM 1500.1	16,800	14,448	5,600	4,818	1,474	492	230/400	45	PR-MD		

Fuel: Natural Gas (L.C.V. 8,570 kcal/Nm³), LPG (L.C.V. 22,260 kcal/Nm³) : Heavy oil (L.C.V. 9,800 kcal/kg max. visc 50°E at 50°C) 燃料: 天然气 (热值 8,570 kcal/Nm³), 液化气 (热值 22,260 kcal/Nm³) : 重油 (热值 9,800 kcal/kg 最大黏度 50°E at 50°C)

DETAILS / 技术资料



Diffuser Multiflam 700.1
稳焰盘 Multiflam 700.1



HI-LOW with servomotor
两段火型号配有伺服马达



Progressive version with servomotor, mechanical cam and pressure regulator
渐进式型号配有伺服马达、机械凸轮及油压调节器

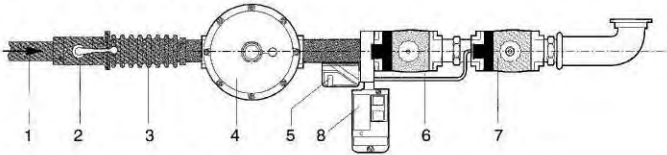


Modulating version with PID regulation (proportional, integral and derivative) digital control board.
比例调节型号配有PID调节(比例、积分及微分)数码控制面板

GAS TRAIN / 管道

Dungs SV-SVDLE / MB-MBDLE / DMV-DMVSE

To be supplied by the installer
由安装者提供



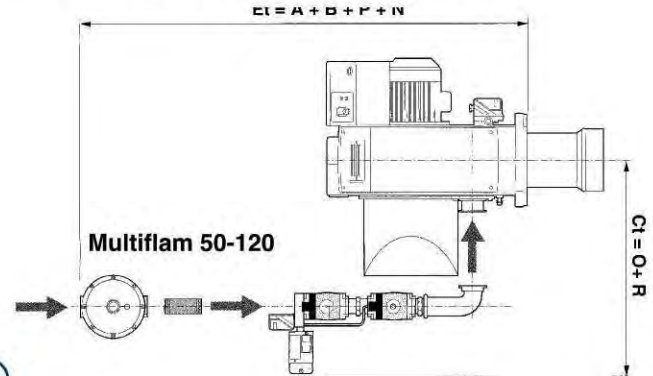
- 1 - Main gas pipe / 主供气管
- 2 - Ball valve / 球阀
- 3 - Antivibration coupling / 膨胀接
- 4 - Gas governor / 调压阀
- 5 - Gas pressure switch / 气压开关
- 6 - Safety gas valve / 安全电磁阀
- 7 - Working gas valve / 工作电磁阀
- 8 - Leakage control (optional) / 检漏装置(选购)

HOW TO CALCULATE THE OVERALL DIMENSION OF BURNER COMPLETE WITH MATCHING GAS TRAIN

如何计算燃烧器装上供气管道的整体尺寸?

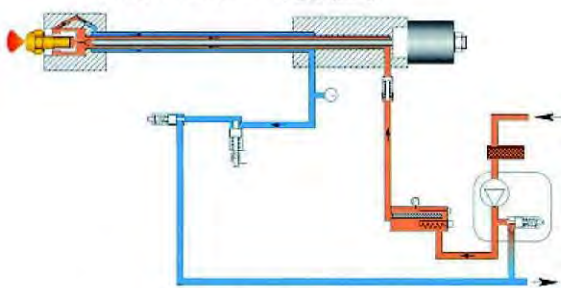
In order to calculate the overall dimension of the burner complete with gas train you need to consider value "N" and "V" that are indicated in the burner leaflet and the dimension of the matching gas train to be chosen, according to the inlet gas pressure available, in the gas train leaflet.

为了计算燃烧器装上供气管道的整体尺寸，用户需要考虑尺寸"N"及"V"这两个显示在燃烧器简介及管道简介而按入气压力选配的管道来计算。

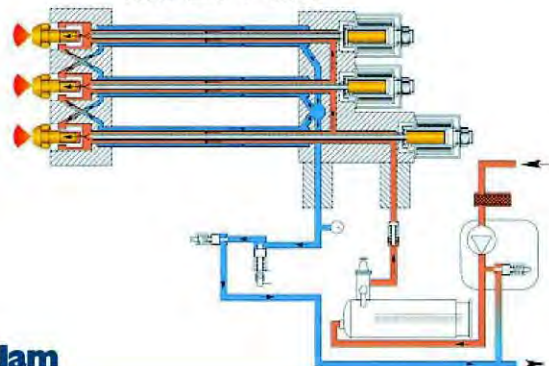


HYDRAULIC CIRCUIT / 液压油路

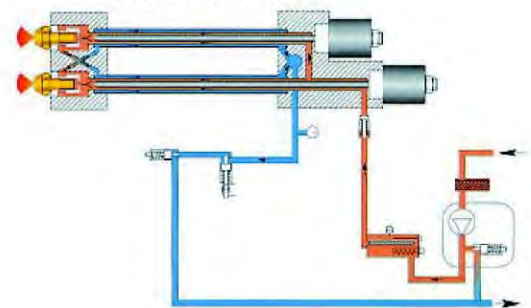
versions ON-OFF / 单段火型号



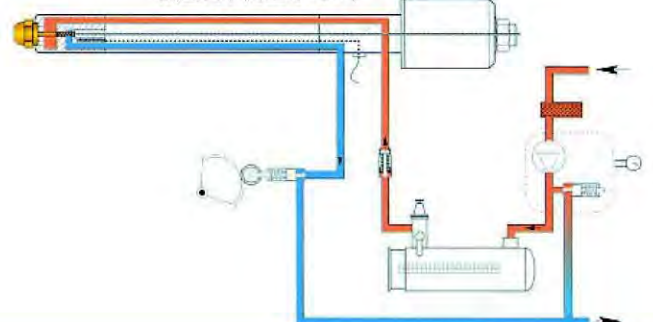
versions HI-LOW with 3 nozzles
两段火型号 (三油咀)



versions HI-LOW with 2 nozzles
两段火型号 (两油咀)

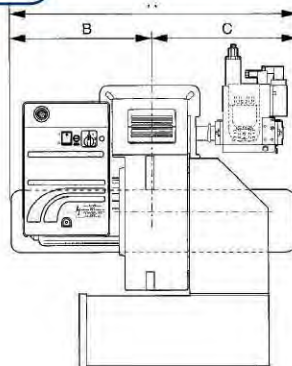
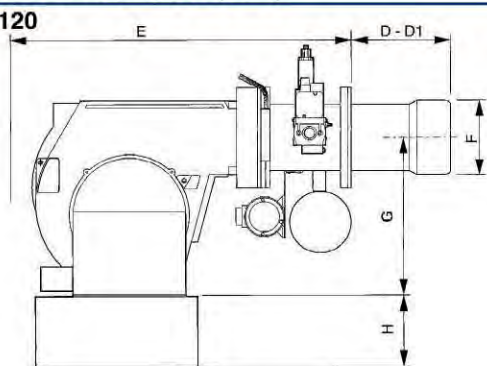


versions with hydraulic pressure regulator (PR)
液压调节阀型号 (PR)

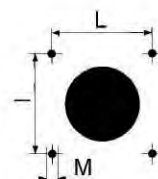
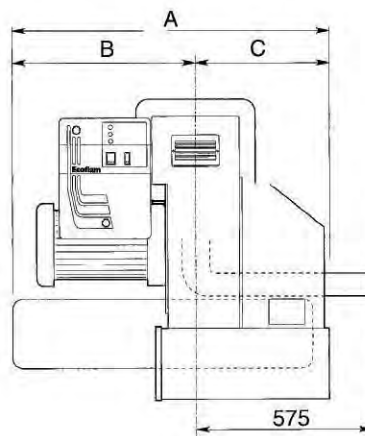
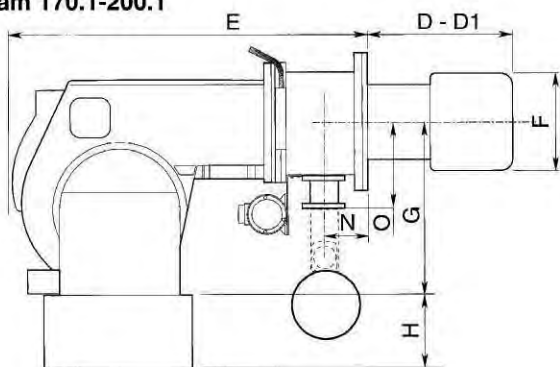


OVERALL DIMENSIONS / 整体尺寸

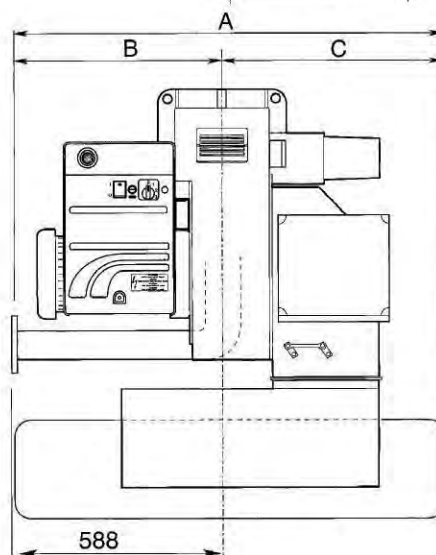
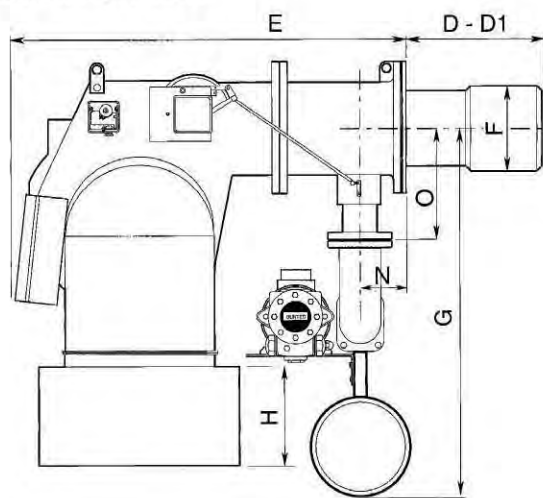
Multiflam 50-120



Multiflam 170.1-200.1



Multiflam 300.1-400.1



MODELS 型号	A	B	C	D	D1	E	F	G	H	I	L	M	N	O
MULTIFLAM 50	715	370	345	175	335	900	160	385	225 •	230	230	M14	-	-
MULTIFLAM 70	715	370	345	175	395	900	180	385	225 •	230	230	M14	-	-
MULTIFLAM 120	715	370	345	310	460	900	215	385	225 •	230	230	M14	-	-
MULTIFLAM 170.1	885	410	475	340	540	990	250	398	283 •	315	315	M16	125	250
MULTIFLAM 200.1	950	405	545	345	545	990	270	398	283	315	315	M16	125	250
MULTIFLAM 300.1	1225	588	638	295	495	1020	290	738	280	315	315	M16	195	250
MULTIFLAM 400.1	1225	588	638	295	495	1020	320	738	280	315	315	M16	195	250
MULTIFLAM 500.1	1280	655	625	350	600	1100	320	565	400	330	330	M16	195	250
MULTIFLAM 600.1	1280	655	625	350	600	1100	320	565	400	330	330	M16	195	250
MULTIFLAM 700.1	1480	660	820	455	-	1460	420	800	480	460	460	M20	195	232
MULTIFLAM 800.1	1480	660	820	455	-	1460	420	800	480	460	460	M20	195	232
MULTIFLAM 1000.1	1505	685	820	455	-	1460	420	800	480	460	460	M20	195	232
MULTIFLAM 1200.1	1615	795	820	455	-	1460	450	800	480	460	460	M20	195	232
MULTIFLAM 1500.1	1670	800	870	457	-	1750	500	1100	530	620	620	M20	195	255

Dimensions refers to the burner without gas train / 尺寸不包括供气管道

D = short head / 短头

D1 = long head / 长头

• = optional / 选购

Dimension (mm) / 尺寸 (mm)



CHINA SOLE AGENT

Unic Energy (International) Company

Flat B, 10/F, Effort Industrial Building, 2-8 Kung Yip Street,
Kwai Chung, New Territories, Hong Kong
Tel : (852) 2401 3660 / 3665 / 3669
Fax : (852) 2610 0969
E-Mail : info@unicenergys.com
Website : www.unicenergys.com

勁力能源(國際)公司

香港新界葵涌工業街2-8號力豐工業大廈10字樓B室
電話 : (852) 2401 3660 / 3665 / 3669
傳真 : (852) 2610 0969
電郵 : info@unicenergys.com
網頁 : www.unicenergys.com

Bon Energy Heating Equipment Company Limited

B507, Time Creative Park, 179 Dashi Yinbin Road,
Panyu District, Guangzhou City, Guangdong Province,
P.R. China.
Tel : (86) 020 - 3479 3015
Fax : (86) 020 - 3479 3013
E-Mail : bon-energy@163.com

廣州市耐源機械設備有限公司

中國廣州市番禺區大石迎賓路179號時代創意園B507室
電話 : (86) 020 - 3479 3015
傳真 : (86) 020 - 3479 3013
電郵 : bon-energy@163.com



ECOFLAM S.p.A. - via Roma, 64 - 31023 Resana (TV) - Italy
tel. 0423.7160 - 715345 r.a. - fax 0423.715444 - 715538
<http://www.ecoflam.it> - e-mail: export@ecoflam.it