

Ecoflam



MAX



Ecoflam



Ecoflam

LIGHT OIL BURNERS

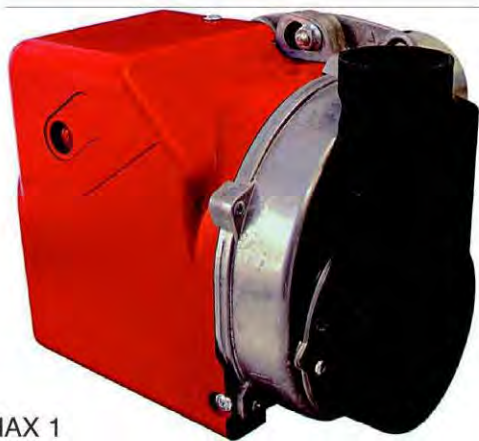
轻油燃烧器



Ecoflam was founded in 1973 in Castelfranco Veneto, near Venice in the North East of Italy. For more than thirty years Ecoflam has continued to develop all its products with constant dedication and determination addressing Technological Research, Ecology, Energy Saving, and Safety.

Ecoflam today offers a full range of blown air pressure jet burners designed and tested in our "GREEN" modern laboratories. All products conform to CE standards and are manufactured in accordance with ISO 9001 and VISION 2000 certification.

Ecoflam burners guarantee high efficiency and reliable operation with significant energy savings. All models feature extreme ease of installation maintenance and flexible boiler - burner matching.



MAX 1



意高（意大利）燃烧设备有限公司在1973年位于意大利北部近威尼斯的Castelfranco Veneto成立。拥有超过30年经验的意高公司，仍不断致力发展各类的产品，并且决心专注技术研究、生态保护、节约能源及安全性等。

意高公司今天能提供各类型的压力吹风式燃烧器。所有燃烧器都在“GREEN”绿色环保实验中心设计及测试，产品全通过CE标准及按照ISO9001及VISION 2000证书标准生产。

意高公司燃烧器保证有高效能，可靠的操作性及高节能特性。所有型号均带有容易安装维修及灵活与锅炉配套使用的特性。

OPERATION / 操作模式

...	On-Off	单段火
P...	On-Off Soft Start	软性起动单段火
P...AB	HI-LOW with servomotor	伺服马达控制-两段火
P...AB HS	HI-LOW with hydraulic system	液压式控制-两段火

MAIN FEATURES / 主要特点

- Completely sealed aluminum casing encased with a new modern design cover.
- New high efficiency fan ventilation system (HPV) allowing easy matching with boilers having high combustion chamber back pressure.
- Compact burner dimension with low noise levels.
- New air damper with progressive micrometric air regulation system.
- Air damper with 60 (Max 4) or 80 (Max 8 & 12) mm snorkel adaptor (optional).
- New electrical wiring simple to disassemble for easy maintenance .
- Combustion head easy to assemble and adjust for fine set up.
- Single bolt burner fixing and the possibility to firmly secure it to the flange in three different positions for easier maintenance.
- Ease of installation with adjustable flange (optional).
- Monoblock electrodes for easy and steady installation into the nozzle even after maintenance.
- Hi - Low version available with compact hydraulic system (Max AB HS), or electric servomotor.
- Low NOx version with yellow flame developed by Ecoflam.

MAX 4



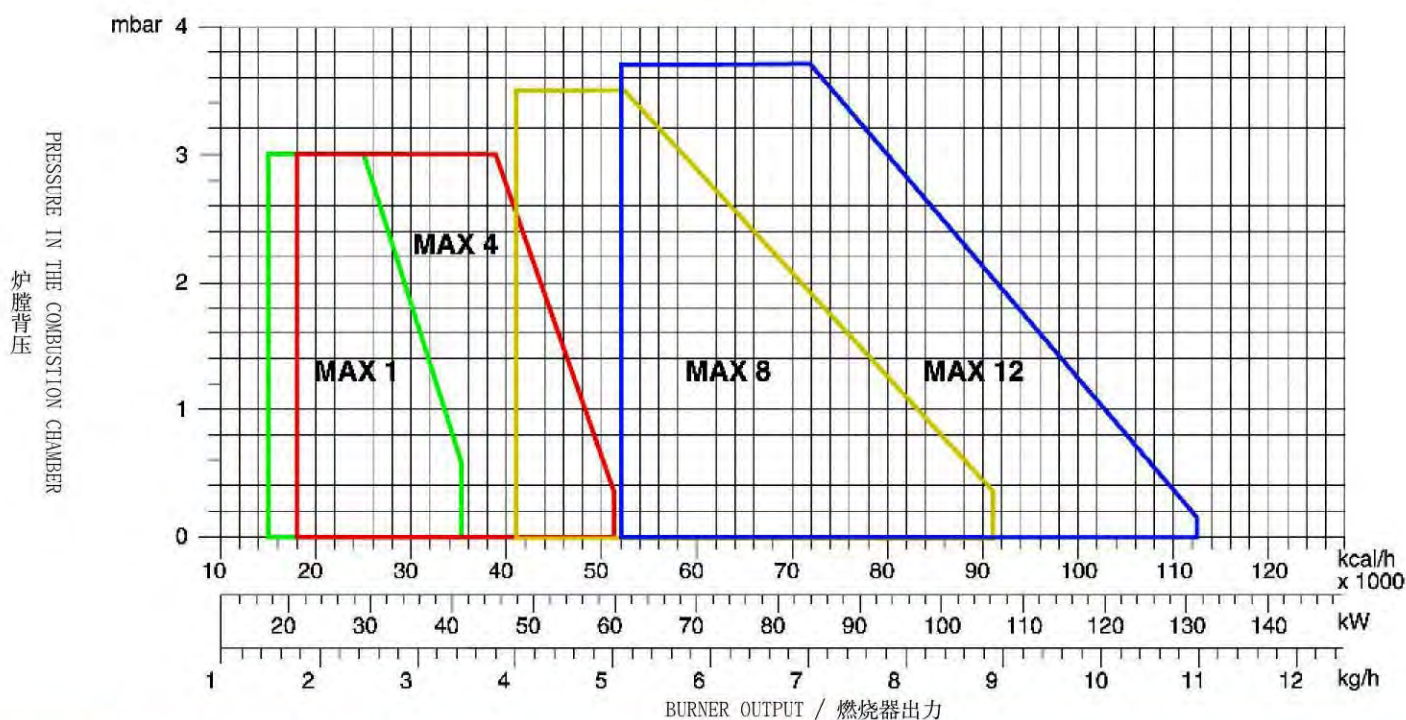
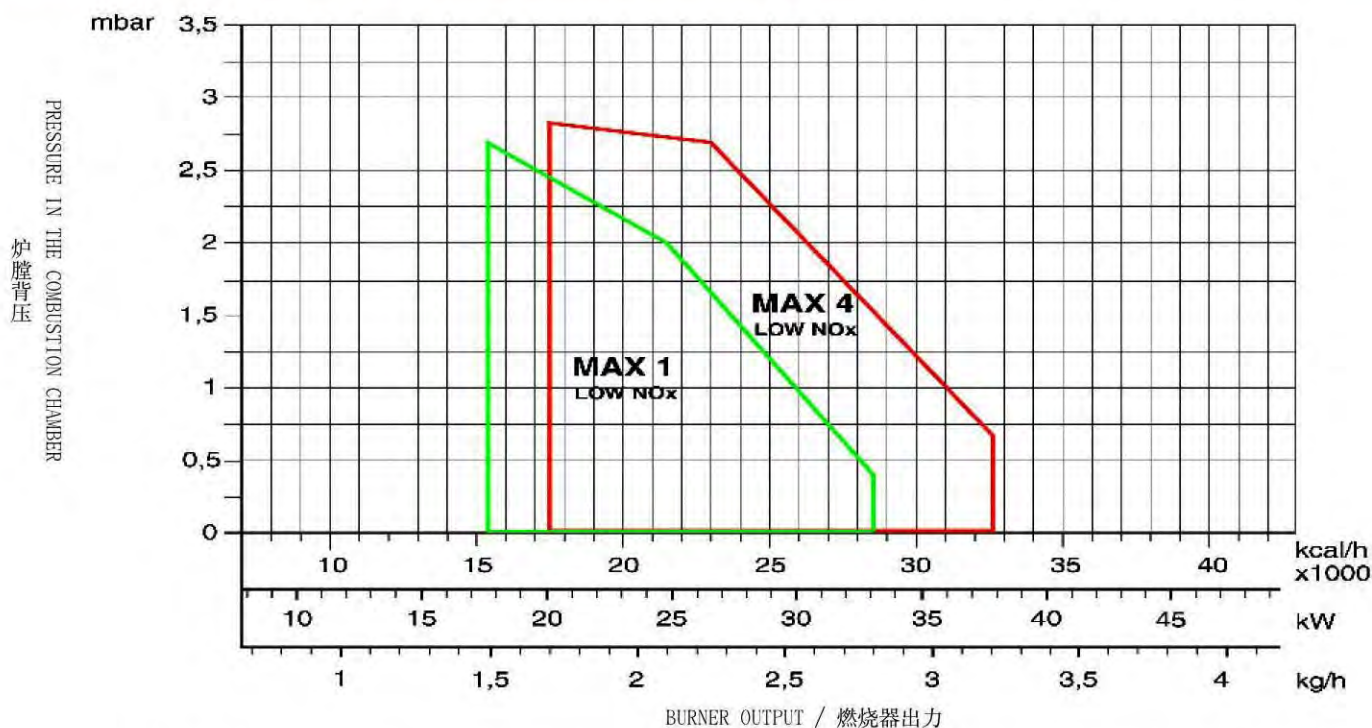
without cover
折除外壳图



MAX P 25 AB

- 全新现代化的密封铝外壳。
- 采用高效率风机系统(HPV)易于配套高炉膛背压的锅炉。
- 细小的燃烧器尺寸及低噪音设计。
- 新风门设计配有渐进式进风量调节系统。
- 风门可选配60mm(Max4)或80mm(Max8&12)的进风接头。
- 新接电方式易于拆除及维修。
- 燃烧头易于拆除及调节。
- 独立固定螺丝可固定燃烧器在三个位置以易于维修。
- 可调节法兰易于安装(选配: 只在MAX1至MAX12长头TL型号提供)。
- 一体式点火棒易于准确地安装在油咀前甚至在维修后。
- 两段火型号可配液压系统(MAX AB HS)或伺服马达控制。
- 由意高公司发展的低氮型号会喷出黄色火焰。

WORKING FIELDS / 工作范围

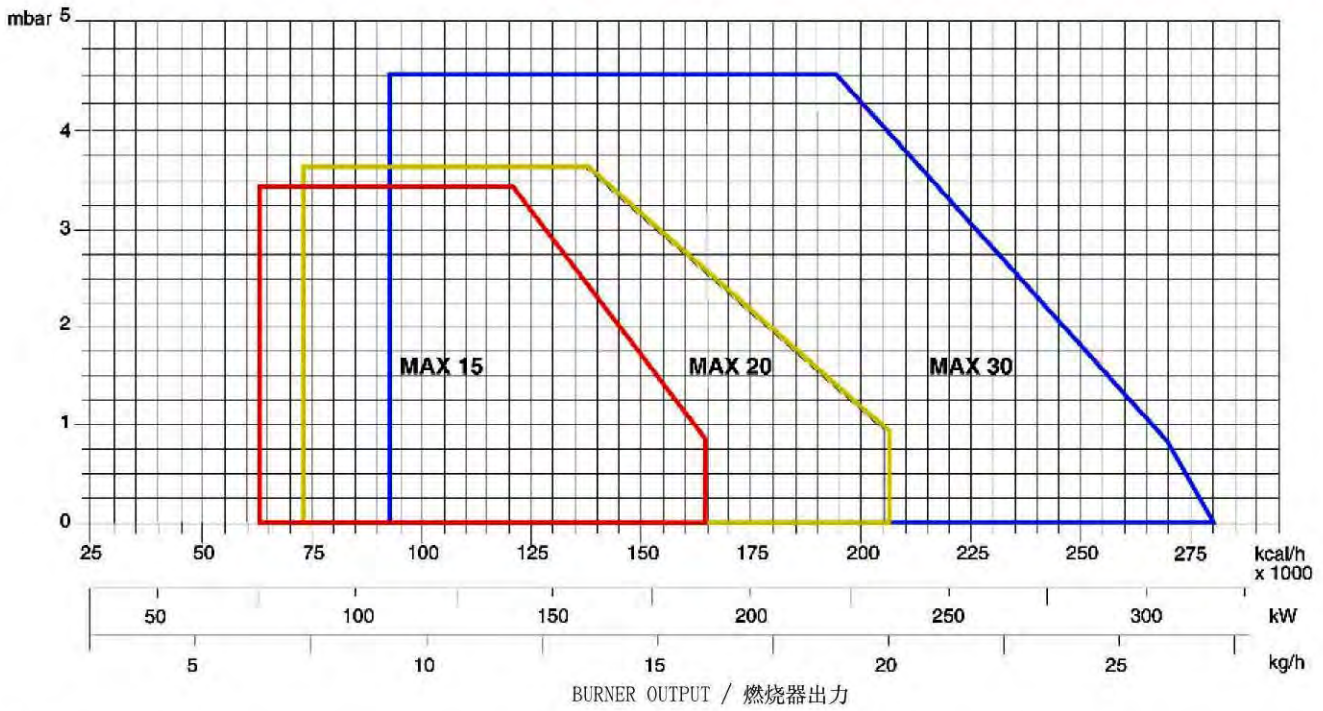


TECHNICAL DATA / 技术数据

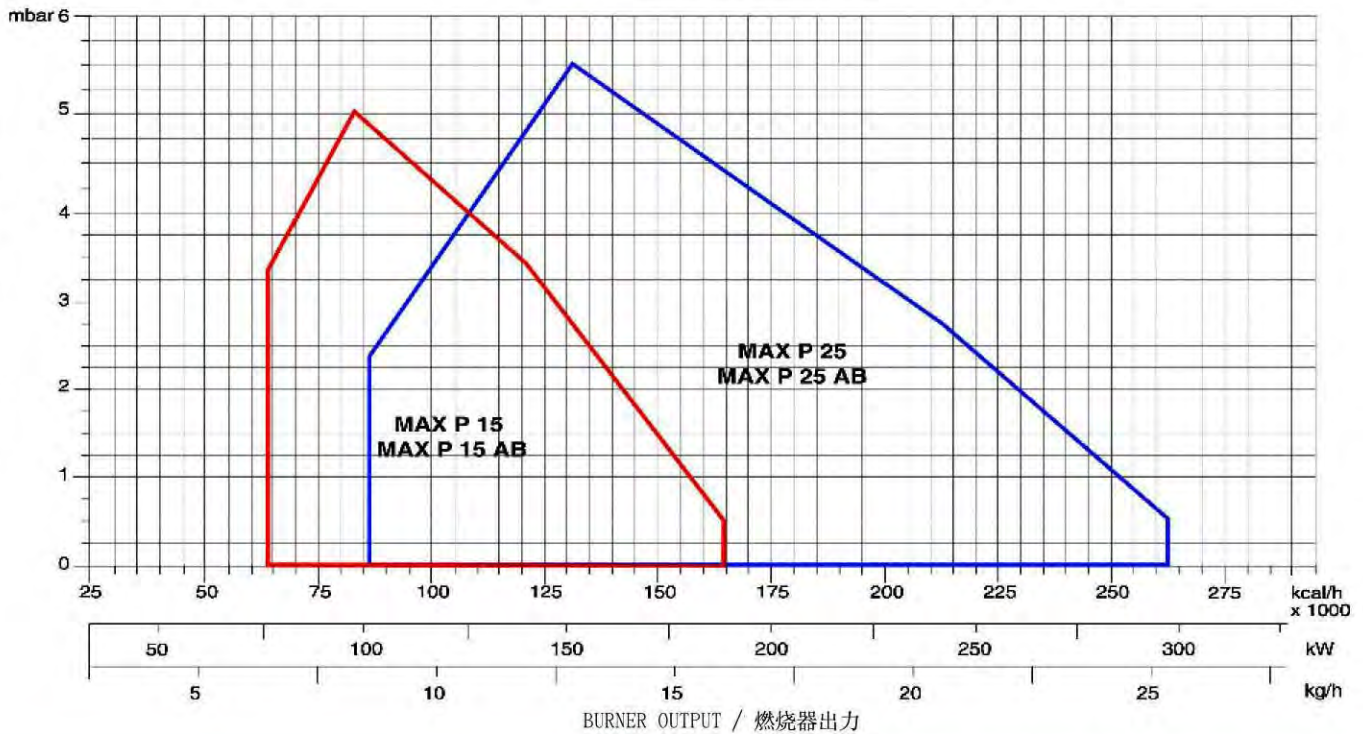
MODELS 型号	Output 最大输出 max.		Output 最小输出 min.		Flow rate 最大流量 max.		Flow rate 最小流量 min.		Power supply 电源 V	Motor 马达 kW	Operation 操作
	kW	kcal/hx1000	kW	kcal/hx1000	kg/h	kg/h	kg/h	kg/h			
MAX 1	41.4	35.7	17.6	15.3	3.5	1.5	230	75	ON-OFF		
MAX 1 LOW NOx	33.13	28.56	17.6	15.3	2.8	1.5	230	75	ON-OFF		
MAX 4	59	51	20	17.34	5	1.7	230	75	ON-OFF		
MAX 4 LOW NOx	37.86	32.64	20	17.34	3.2	1.7	230	75	ON-OFF		
MAX 8	105	90.78	47	40.8	8.9	4	230	100	ON-OFF		
MAX 12	130	112.2	60	52	11	5.1	230	130	ON-OFF		

Fuel: Light oil (L.C.V. 10,200 kcal/kg max. visc 1.5° E at 20°C) 燃料: 轻油 (热值 10,200 kcal/kg 最大黏度 1.5° E at 20°C)

炉膛背压
PRESSURE IN THE COMBUSTION CHAMBER



炉膛背压
PRESSURE IN THE COMBUSTION CHAMBER



TECHNICAL DATA / 技术数据

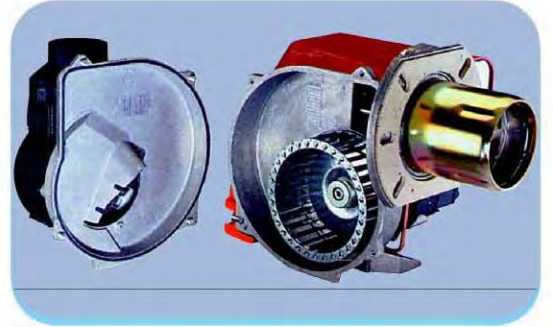
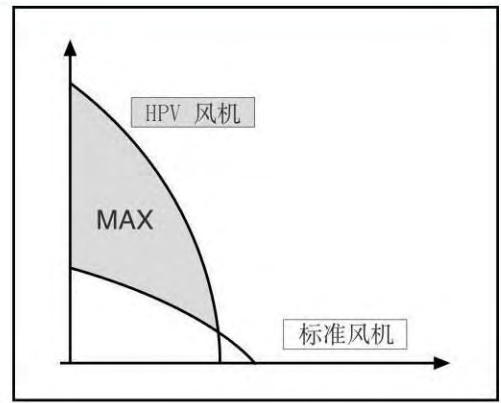
MODELS 型号	Output 最大输出 max.		Output 最小输出 min.		Flow rate 最大流量 max.	Flow rate 最小流量 min.	Power supply 电源 V	Motor 马达 kW	Operation 操作
	kW	kcal/hx1000	kW	kcal/hx1000	kg/h	kg/h			
MAX 15	190	163.8	73.4	63.24	16	6.2	230	130	ON-OFF
MAX 20	237	204	86.4	74.460	20	7.3	230	200	ON-OFF
MAX 30	319	275.4	110	94.860	27	9.3	230	200	ON-OFF
MAX P15 / P15AB	190	163.8	77	66.3	16	6.5	230	130	P - AB
MAX P25 / P25AB	300	259.08	102	87.72	25.4	8.6	230	200	P - AB

Fuel: Light oil (L.C.V. 10,200 kcal/kg max. visc 1.5°E at 20°C) 燃料: 轻油 (热值 10,200 kcal/kg 最大黏度 1.5° E at 20°C)

Max LOW NOx / MAX 低氮型



New high efficiency fan ventilation system (HPV).
高效率风机系统(HPV)



DETAILS / 技术资料



HI-LOW with hydraulic system
两段火型号配备液压系统



Setting combustion head
燃烧头设定



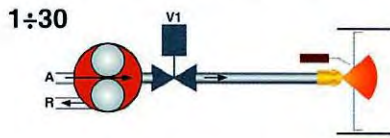
Position for maintenance
维修摆放位置



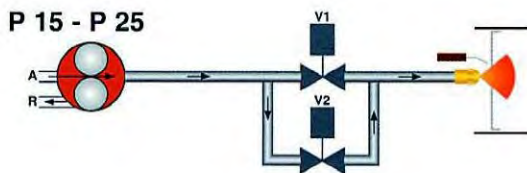
Low NOx Combustion head
低氮型燃烧头

HYDRAULIC CIRCUIT / 液压油路

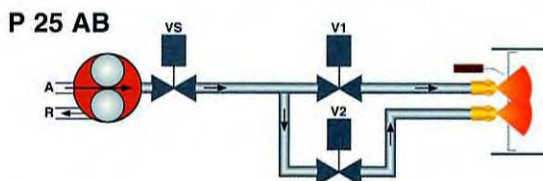
versions ON-OFF / 单段火型号



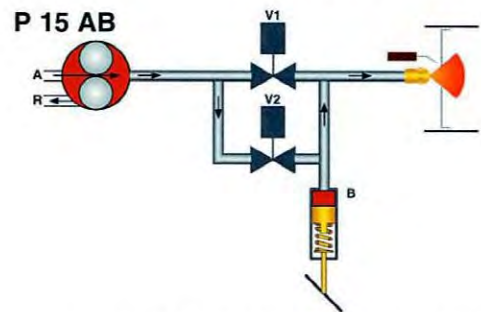
versions with ON-OFF Soft Start / 软性启动单段火



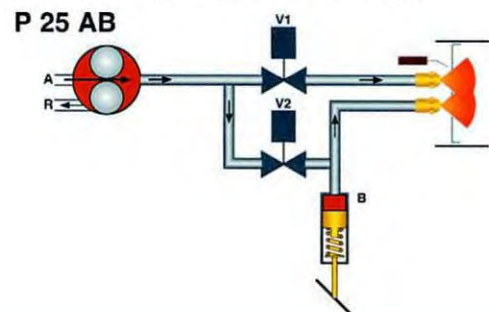
HI-LOW with servomotor
伺服马达控制两段火



versions with hydraulic system (HS)
液压式控制型号(HS)

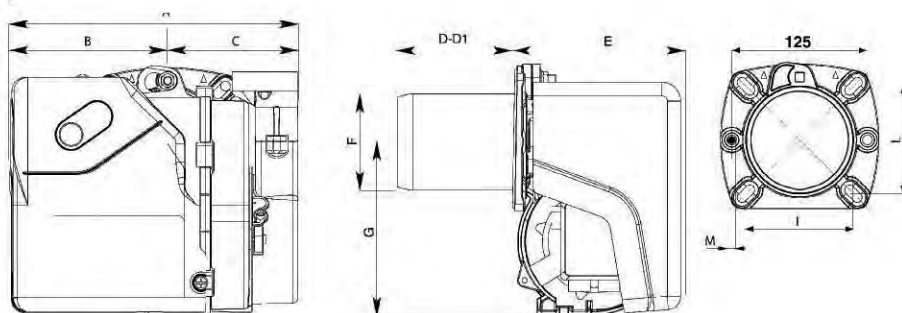


versions with hydraulic system (HS) 2 nozzles
液压式控制型号(HS) 双油咀

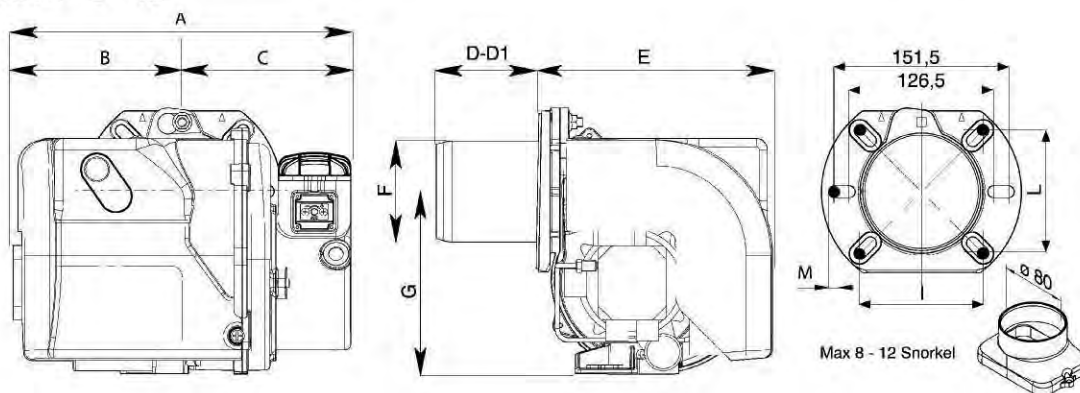


OVERALL DIMENSIONS / 整体尺寸

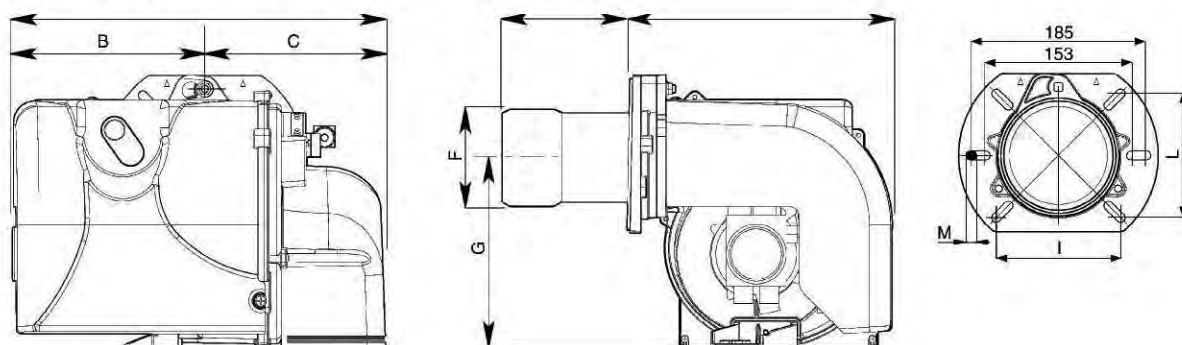
MAX 1



MAX 4 - 8 - 12



MAX 15, 20, 30 - P 15, P 25 - P 15 AB, P 25 AB



MODELS 型号	A	B	C	D	D1	E	F	G	I	L	M
MAX1	263	143	120	90	145	153	89	160	92/107	92/107	M8
MAX 1 Low NOx	263	143	120	90	145	153	89	160	92/107	92/107	M8
MAX 4 Low NOx	297	149	148	90	145	204	89	160	107	107	M8
MAX 4	297	149	148	90	145	204	89	160	107	107	M8
MAX 8	303	155	148	90	145	204	89	160	120	120	M8
MAX 12	317	169	148	100	155	204	98	160	120	120	M8
MAX 15	392	202	190	160	260	276	107	201	120/131	120/131	M8
MAX 20	392	202	190	160	260	276	125	201	120/131	120/131	M8
MAX 30	392	202	190	160	260	276	125	201	120/131	120/131	M8
MAX P15 / P15 AB	392	202	190	160	260	276	107	201	120/131	120/131	M8
MAX P25 / P25 AB	392	202	190	160	260	276	125	201	120/131	120/131	M8

D = short head / 短头

D1 = long head / 长头

• = optional / 选购

Dimension (mm) / 尺寸 (mm)



CHINA SOLE AGENT

Unic Energy (International) Company

Flat B, 10/F, Effort Industrial Building, 2-8 Kung Yip Street,
Kwai Chung, New Territories, Hong Kong
Tel : (852) 2401 3660 / 3665 / 3669
Fax : (852) 2610 0969
E-Mail : info@unicenergys.com
Website : www.unicenergys.com

勁力能源(國際)公司

香港新界葵涌工業街2-8號力豐工業大廈10字樓B室
電話 : (852) 2401 3660 / 3665 / 3669
傳真 : (852) 2610 0969
電郵 : info@unicenergys.com
網頁 : www.unicenergys.com

Bon Energy Heating Equipment Company Limited

B507, Time Creative Park, 179 Dashi Yinbin Road,
Panyu District, Guangzhou City, Guangdong Province,
P.R. China.
Tel : (86) 020 - 3479 3015
Fax : (86) 020 - 3479 3013
E-Mail : bon-energy@163.com

廣州市耐源機械設備有限公司

中國廣州市番禺區大石迎賓路179號時代創意園B507室
電話 : (86) 020 - 3479 3015
傳真 : (86) 020 - 3479 3013
電郵 : bon-energy@163.com



ECOFLAM S.p.A. - via Roma, 64 - 31023 Resana (TV) - Italy
tel. 0423.7160 - 715345 r.a. - fax 0423.715444 - 715538
<http://www.ecoflam.it> - e-mail: export@ecoflam.it